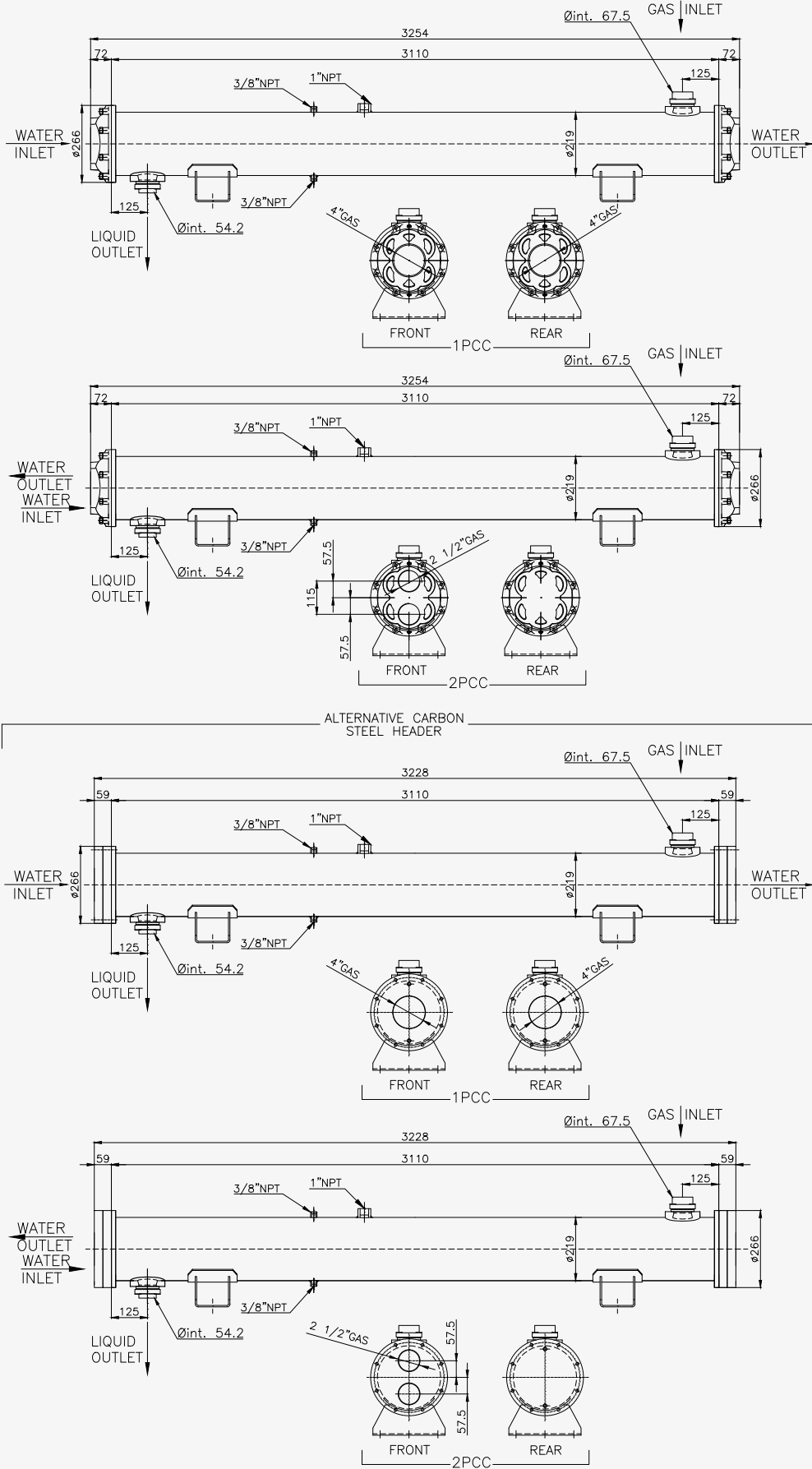


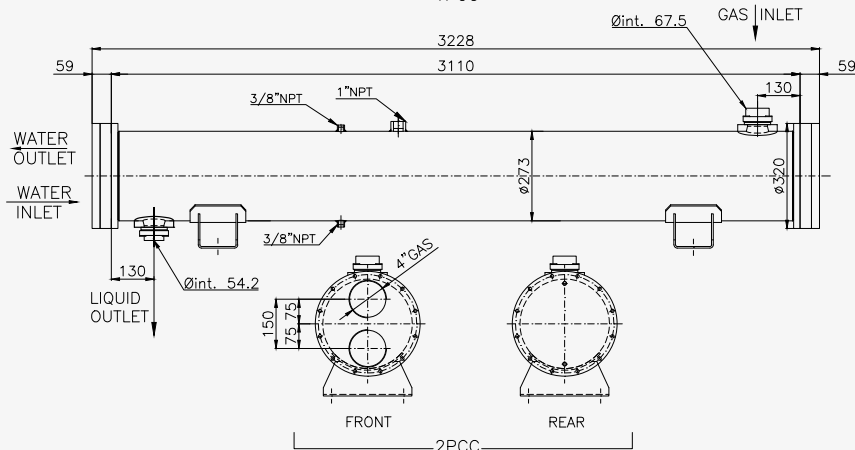
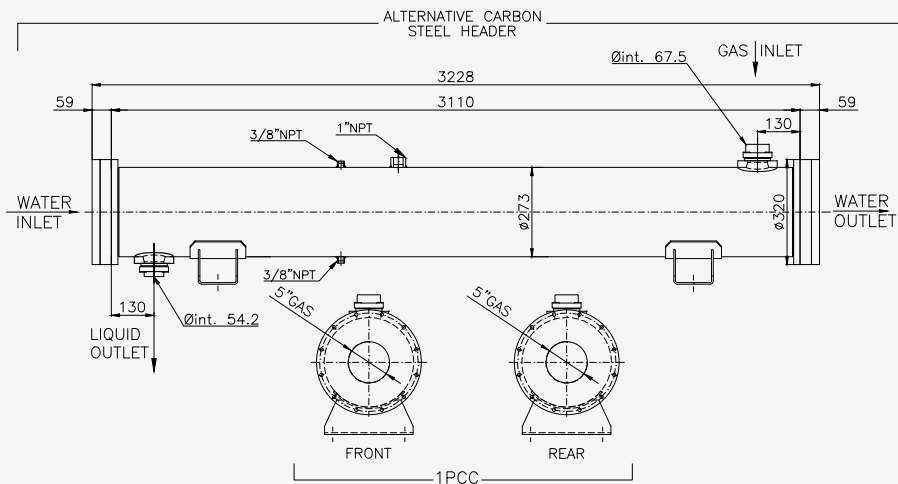
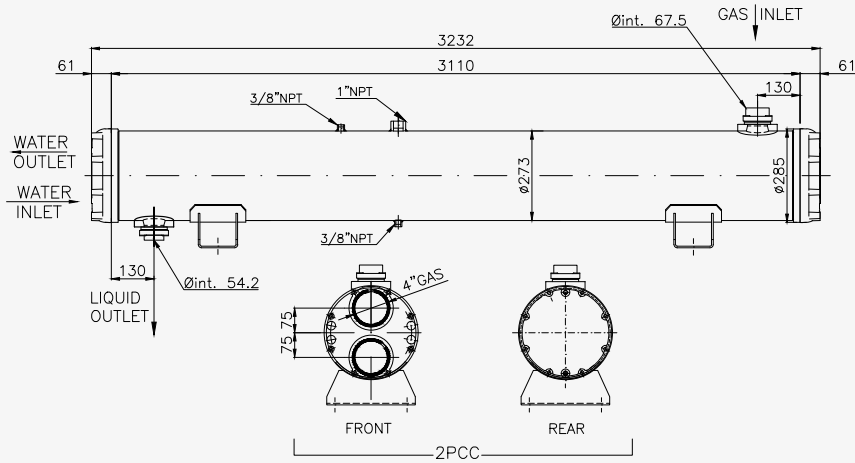
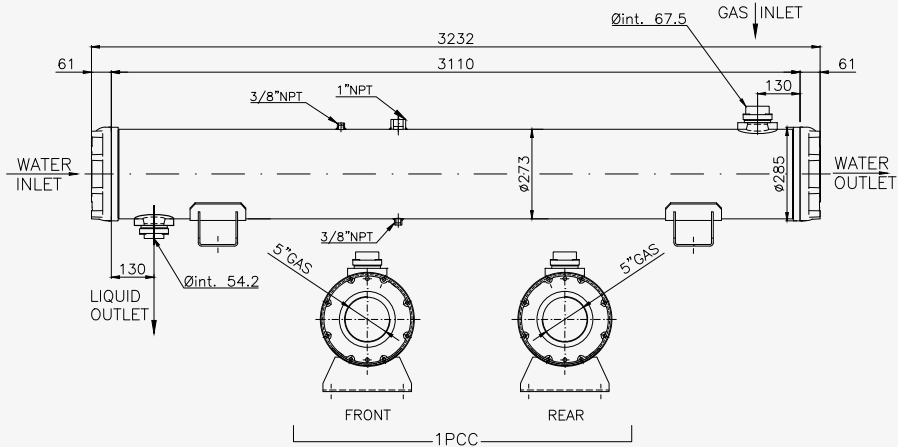
Tcond = 40°C Water IN/OUT = 30/35°C SC = 3 K F.F. = 0.016m²K/kW							
CB Model	R134a Capacity kW	R407C Capacity kW	R410A Capacity kW	R22 Capacity kW	Volume gas dm³	Volume H ₂ O dm³	Weight kg
CBCC2131018	245	163	242	252	90	17	203
CBCC2131020	272	181	270	281	88	19	206
CBCC2131022	299	200	297	310	86	20	209
CBCC2131024	327	218	324	339	85	22	212
CBCC2131026	354	236	351	368	83	23	215
CBCC2131028	381	254	378	397	81	25	218
CBCC2131030	408	272	405	426	79	26	221
CBCC2131032	436	290	433	455	78	28	224
CBCC2131034	463	309	460	484	76	29	227
CBCC2131036	490	327	487	512	74	31	230
CBCC2131038	517	345	514	541	72	32	233
CBCC2131040	545	363	541	570	71	34	236
CBCC2131042	572	381	569	599	69	35	239
CBCC2131044	599	399	596	628	67	37	242
CBCC2131046	626	418	623	657	65	38	245
CBCC2131048	654	436	650	686	64	40	248
CBCC2131050	681	454	677	715	62	41	251
CBCC2131052	708	472	704	744	60	43	254

* Please contact technical dept. at PROVIDES S.r.l. for more info



Tcond = 40°C Water IN/OUT = 30/35°C SC = 3 K F.F. = 0.016m²K/kW							
CB Model	R134a Capacity kW	R407C Capacity kW	R410A Capacity kW	R22 Capacity kW	Volume gas dm³	Volume H ₂ O dm³	Weight kg
CBCC2731026	359	239	355	367	143	25	236
CBCC2731028	387	258	383	396	141	27	239
CBCC2731030	414	276	410	425	140	28	242
CBCC2731032	442	295	438	454	138	30	245
CBCC2731034	470	313	465	483	136	31	248
CBCC2731036	498	332	493	512	134	33	251
CBCC2731038	526	350	520	541	133	34	254
CBCC2731040	553	369	548	570	131	36	257
CBCC2731042	581	387	575	599	129	37	260
CBCC2731044	609	406	603	628	127	39	263
CBCC2731046	637	424	630	657	126	40	266
CBCC2731048	664	443	658	686	124	42	269
CBCC2731050	692	462	686	716	122	43	272
CBCC2731052	720	480	713	745	120	45	275
CBCC2731054	748	499	741	774	119	46	278
CBCC2731056	776	517	768	803	117	48	281
CBCC2731058	803	536	796	832	115	49	284
CBCC2731060	831	554	823	861	113	51	287
CBCC2731062	859	573	851	890	112	52	290
CBCC2731064	887	591	878	919	110	54	293
CBCC2731066	915	610	906	948	108	55	296
CBCC2731068	942	628	933	977	106	57	299
CBCC2731070	970	647	961	1006	105	58	302
CBCC2731072	998	665	988	1035	103	60	305
CBCC2731074	1026	684	1016	1064	101	61	308
CBCC2731076	1053	702	1043	1093	99	63	311
CBCC2731078	1081	721	1071	1122	98	64	314
CBCC2731080	1109	739	1098	1151	96	66	317
CBCC2731082	1137	758	1126	1180	94	67	320
CBCC2731084	1165	776	1153	1209	92	69	323
CBCC2731086	1192	795	1181	1238	91	70	326
CBCC2731088	1220	813	1208	1267	89	72	329
CBCC2731090	1248	832	1236	1296	87	73	332

* Please contact technical dept. at PROVIDES S.r.l. for more info

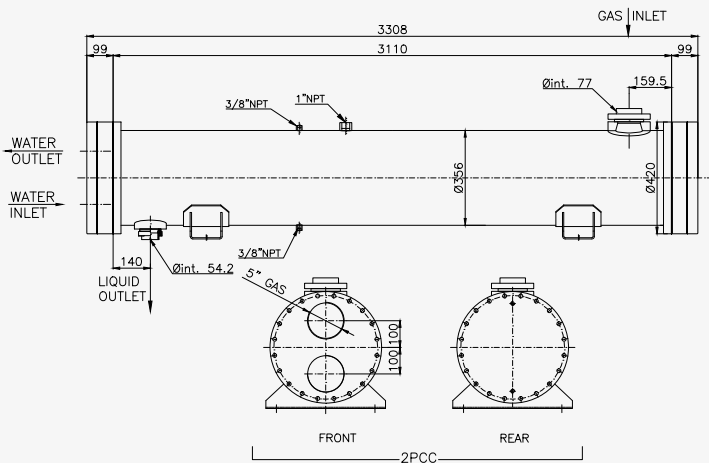
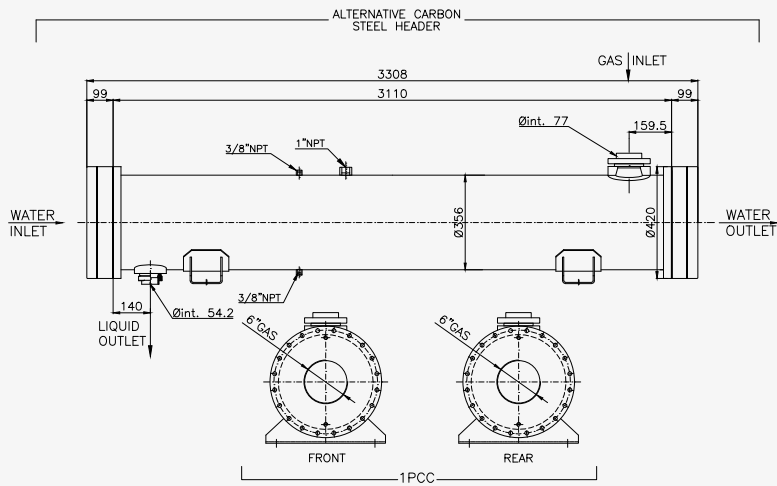
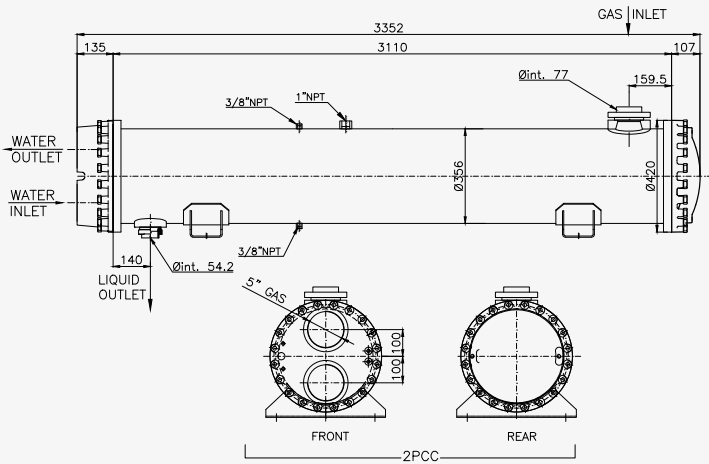
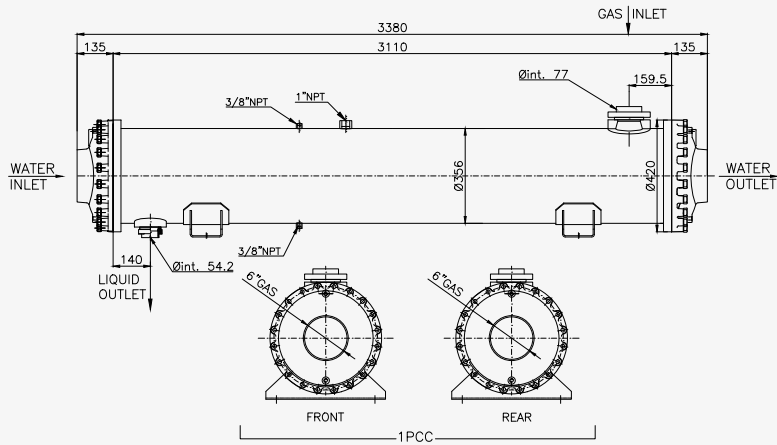


Tcond = 40°C Water IN/OUT = 30/35°C SC = 3 K F.F. = 0.016m²K/kW							
CB Model	R134a Capacity kW	R407C Capacity kW	R410A Capacity kW	R22 Capacity kW	Volume gas dm³	Volume H ₂ O dm³	Weight kg
CBCC3531048	653	435	650	686	239	50	574
CBCC3531050	680	454	678	715	237	52	577
CBCC3531052	708	472	706	743	236	53	580
CBCC3531054	735	490	733	771	234	55	583
CBCC3531056	763	509	761	799	232	56	585
CBCC3531058	791	527	788	828	230	58	588
CBCC3531060	818	545	816	856	229	59	591
CBCC3531062	846	564	843	884	227	61	594
CBCC3531064	873	582	871	912	225	62	597
CBCC3531066	901	601	898	941	223	64	600
CBCC3531068	928	619	926	969	222	65	603
CBCC3531070	956	637	954	997	220	67	605
CBCC3531072	983	656	981	1025	218	68	608
CBCC3531074	1011	674	1009	1054	217	70	611
CBCC3531076	1039	692	1036	1082	215	71	614
CBCC3531078	1066	711	1064	1110	213	73	617
CBCC3531080	1094	729	1091	1138	211	74	620
CBCC3531082	1121	748	1119	1167	210	76	623
CBCC3531084	1149	766	1146	1195	208	77	626
CBCC3531086	1176	784	1174	1223	206	79	628
CBCC3531088	1204	803	1202	1251	204	80	631
CBCC3531090	1232	821	1229	1280	203	82	634
CBCC3531092	1259	839	1257	1308	201	83	637
CBCC3531094	1287	858	1284	1336	199	85	640
CBCC3531096	1314	876	1312	1364	198	86	643
CBCC3531098	1342	894	1339	1392	196	88	646
CBCC3531100	1369	913	1367	1421	194	89	648
CBCC3531102	1397	931	1394	1449	192	91	651
CBCC3531104	1424	950	1422	1477	191	92	654
CBCC3531106	1452	968	1450	1505	189	94	657
CBCC3531108	1480	986	1477	1534	187	95	660
CBCC3531110	1507	1005	1505	1562	186	97	663
CBCC3531112	1535	1023	1532	1590	184	98	666
CBCC3531114	1562	1041	1560	1618	182	100	668
CBCC3531116	1590	1060	1587	1647	180	101	671
CBCC3531118	1617	1078	1615	1675	179	103	674
CBCC3531120	1645	1097	1642	1703	177	104	677
CBCC3531122	1672	1115	1670	1731	175	106	680
CBCC3531124	1700	1133	1698	1760	173	107	683
CBCC3531126	1728	1152	1725	1788	172	109	686
CBCC3531128	1755	1170	1753	1816	170	110	689
CBCC3531130	1783	1188	1780	1844	168	112	691

* Please contact technical dept. at PROVIDES S.r.l. for more info

Tcond = 40°C Water IN/OUT = 30/35°C SC = 3 K F.F. = 0.016m²K/kW							
CB Model	R134a Capacity kW	R407C Capacity kW	R410A Capacity kW	R22 Capacity kW	Volume gas dm³	Volume H ₂ O dm³	Weight kg
CBCC3531132	1810	1207	1808	1873	167	113	694
CBCC3531134	1838	1225	1835	1901	165	115	697
CBCC3531136	1865	1244	1863	1929	163	116	700
CBCC3531138	1893	1262	1890	1957	161	118	703
CBCC3531140	1920	1280	1918	1986	160	119	706
CBCC3531142	1948	1299	1946	2014	158	121	709
CBCC3531144	1976	1317	1973	2042	156	122	711
CBCC3531146	2003	1335	2001	2070	154	124	714
CBCC3531148	2031	1354	2028	2099	153	125	717
CBCC3531150	2058	1372	2056	2127	151	127	720

* Please contact technical dept. at PROVIDES S.r.l. for more info

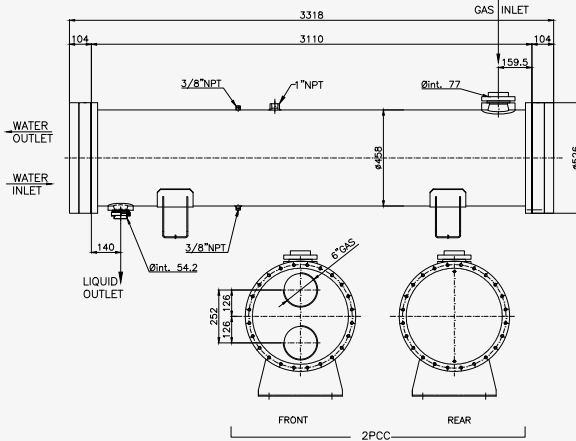
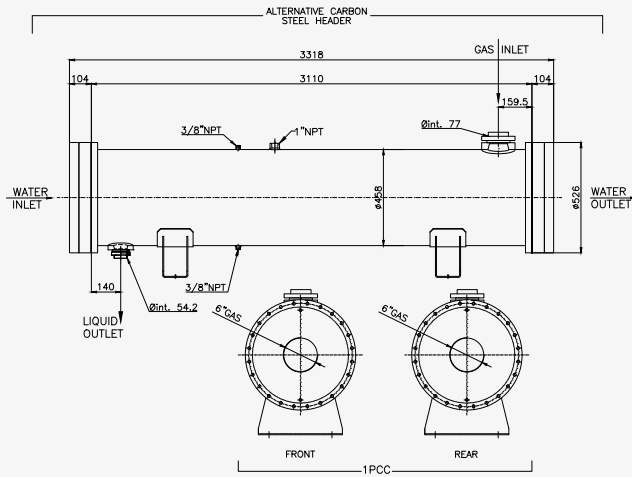
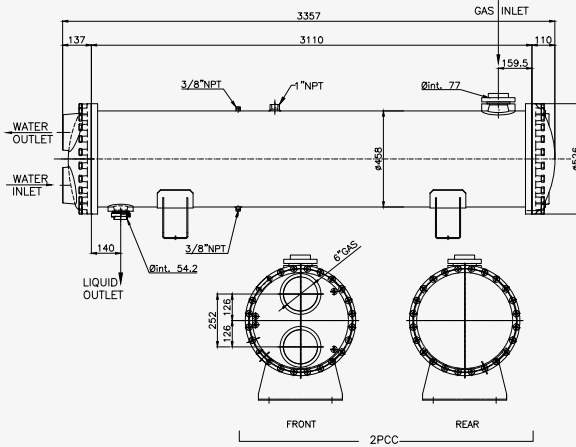
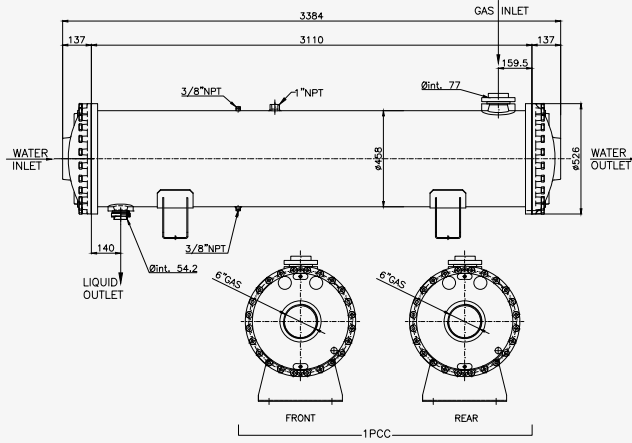


Tcond = 40°C Water IN/OUT = 30/35°C SC = 3 K F.F. = 0.016m²K/kW							
CB Model	R134a Capacity kW	R407C Capacity kW	R410A Capacity kW	R22 Capacity kW	Volume gas dm³	Volume H ₂ O dm³	Weight kg
CBCC4531112	1548	1032	1546	1590	367	105	714
CBCC4531114	1576	1050	1573	1619	365	106	717
CBCC4531116	1603	1069	1601	1647	364	108	719
CBCC4531118	1631	1087	1629	1676	362	109	722
CBCC4531120	1658	1106	1657	1704	361	110	724
CBCC4531122	1686	1124	1684	1733	359	112	727
CBCC4531124	1714	1142	1712	1761	358	113	730
CBCC4531126	1741	1161	1740	1790	356	115	732
CBCC4531128	1769	1179	1767	1818	354	116	735
CBCC4531130	1797	1198	1795	1847	353	117	737
CBCC4531132	1824	1216	1823	1876	351	119	740
CBCC4531134	1852	1235	1851	1904	350	120	742
CBCC4531136	1879	1253	1878	1933	348	121	745
CBCC4531138	1907	1271	1906	1961	347	123	748
CBCC4531140	1935	1290	1934	1990	345	124	750
CBCC4531142	1962	1308	1962	2018	344	126	753
CBCC4531144	1990	1327	1989	2047	342	127	755
CBCC4531146	2017	1345	2017	2075	340	128	758
CBCC4531148	2045	1363	2045	2104	339	130	761
CBCC4531150	2073	1382	2072	2133	337	131	763
CBCC4531152	2100	1400	2100	2161	336	132	766
CBCC4531154	2128	1419	2128	2190	334	134	768
CBCC4531156	2156	1437	2156	2218	333	135	771
CBCC4531158	2183	1455	2183	2247	331	137	774
CBCC4531160	2211	1474	2211	2275	329	138	776
CBCC4531162	2238	1492	2239	2304	328	139	779
CBCC4531164	2266	1511	2267	2332	326	141	781
CBCC4531166	2294	1529	2294	2361	325	142	784
CBCC4531168	2321	1547	2322	2390	323	143	787
CBCC4531170	2349	1566	2350	2418	322	145	789
CBCC4531172	2376	1584	2378	2447	320	146	792
CBCC4531174	2404	1603	2405	2475	318	148	794
CBCC4531176	2432	1621	2433	2504	317	149	797
CBCC4531178	2459	1640	2461	2532	315	150	799
CBCC4531180	2487	1658	2488	2561	314	152	802
CBCC4531182	2515	1676	2516	2589	312	153	805
CBCC4531184	2542	1695	2544	2618	311	154	807
CBCC4531186	2570	1713	2572	2647	309	156	810
CBCC4531188	2597	1732	2599	2675	307	157	812
CBCC4531190	2625	1750	2627	2704	306	159	815
CBCC4531192	2653	1768	2655	2732	304	160	818
CBCC4531194	2680	1787	2683	2761	303	161	820

* Please contact technical dept. at PROVIDES S.r.l. for more info

Tcond = 40°C Water IN/OUT = 30/35°C SC = 3 K F.F. = 0.016m²K/kW							
CB Model	R134a Capacity kW	R407C Capacity kW	R410A Capacity kW	R22 Capacity kW	Volume gas dm³	Volume H ₂ O dm³	Weight kg
CBCC4531196	2708	1805	2710	2789	301	163	823
CBCC4531198	2735	1824	2738	2818	300	164	825
CBCC4531200	2763	1842	2766	2846	298	165	828
CBCC4531202	2791	1860	2793	2875	297	167	831
CBCC4531204	2818	1879	2821	2903	295	168	833
CBCC4531206	2846	1897	2849	2932	293	170	836
CBCC4531208	2873	1916	2877	2961	292	171	838
CBCC4531210	2901	1934	2904	2989	290	172	841
CBCC4531212	2929	1952	2932	3018	289	174	844
CBCC4531214	2956	1971	2960	3046	287	175	846
CBCC4531216	2984	1989	2988	3075	286	176	849
CBCC4531218	3012	2008	3015	3103	284	178	851
CBCC4531220	3039	2026	3043	3132	282	179	854
CBCC4531222	3067	2045	3071	3160	281	181	856
CBCC4531224	3094	2063	3098	3189	279	182	859
CBCC4531226	3122	2081	3126	3218	278	183	862
CBCC4531228	3150	2100	3154	3246	276	185	864
CBCC4531230	3177	2118	3182	3275	275	186	867
CBCC4531232	3205	2137	3209	3303	273	187	869
CBCC4531234	3232	2155	3237	3332	271	189	872
CBCC4531236	3260	2173	3265	3360	270	190	875
CBCC4531238	3288	2192	3293	3389	268	192	877
CBCC4531240	3315	2210	3320	3417	267	193	880
CBCC4531242	3343	2229	3348	3446	265	194	882
CBCC4531244	3371	2247	3376	3475	264	196	885
CBCC4531246	3398	2265	3404	3503	262	197	888
CBCC4531248	3426	2284	3431	3532	260	198	890
CBCC4531250	3453	2302	3459	3560	259	200	893
CBCC4531252	3481	2321	3487	3589	257	201	895
CBCC4531254	3509	2339	3514	3617	256	203	898
CBCC4531256	3536	2357	3542	3646	254	204	901
CBCC4531258	3564	2376	3570	3674	253	205	903
CBCC4531260	3591	2394	3598	3703	251	207	906
CBCC4531262	3619	2413	3625	3732	237	219	929

* Please contact technical dept. at PROVIDES S.r.l. for more info



Tcond = 40°C Water IN/OUT = 30/35°C SC = 3 K F.F. = 0.016m²K/kW							
CB Model	R134a Capacity kW	R407C Capacity kW	R410A Capacity kW	R22 Capacity kW	Volume gas dm³	Volume H ₂ O dm³	Weight kg
CBCC6131240	3316	2210	3322	3418	621	274	1281
CBCC6131242	3342	2228	3349	3446	619	276	1284
CBCC6131244	3368	2245	3375	3474	618	277	1287
CBCC6131246	3394	2263	3402	3503	616	279	1289
CBCC6131248	3420	2280	3429	3531	614	280	1292
CBCC6131250	3446	2298	3456	3559	612	282	1295
CBCC6131252	3472	2315	3483	3588	611	283	1298
CBCC6131254	3499	2332	3510	3616	609	285	1300
CBCC6131256	3525	2350	3537	3644	607	286	1303
CBCC6131258	3551	2367	3564	3673	606	288	1306
CBCC6131260	3577	2385	3591	3701	604	289	1309
CBCC6131262	3603	2402	3618	3729	602	291	1311
CBCC6131264	3629	2420	3645	3758	600	292	1314
CBCC6131266	3655	2437	3672	3786	599	294	1317
CBCC6131268	3682	2454	3699	3815	597	295	1320
CBCC6131270	3708	2472	3726	3843	595	297	1322
CBCC6131272	3734	2489	3753	3871	593	298	1325
CBCC6131274	3760	2507	3779	3900	592	300	1328
CBCC6131276	3786	2524	3806	3928	590	301	1331
CBCC6131278	3812	2542	3833	3956	588	303	1333
CBCC6131280	3838	2559	3860	3985	587	304	1336
CBCC6131282	3865	2576	3887	4013	585	306	1339
CBCC6131284	3891	2594	3914	4041	583	307	1342
CBCC6131286	3917	2611	3941	4070	581	309	1344
CBCC6131288	3943	2629	3968	4098	580	311	1347
CBCC6131290	3969	2646	3995	4126	578	312	1350
CBCC6131292	3995	2664	4022	4155	576	314	1353
CBCC6131294	4021	2681	4049	4183	575	315	1355
CBCC6131296	4048	2698	4076	4211	573	317	1358
CBCC6131298	4074	2716	4103	4240	571	318	1361
CBCC6131300	4100	2733	4130	4268	569	320	1364
CBCC6131302	4126	2751	4157	4296	568	321	1366
CBCC6131304	4152	2768	4183	4325	566	323	1369
CBCC6131306	4178	2786	4210	4353	564	324	1372
CBCC6131308	4204	2803	4237	4382	562	326	1375
CBCC6131310	4231	2820	4264	4410	561	327	1377
CBCC6131312	4257	2838	4291	4438	559	329	1380
CBCC6131314	4283	2855	4318	4467	557	330	1383
CBCC6131316	4309	2873	4345	4495	556	332	1386
CBCC6131318	4335	2890	4372	4523	554	333	1389
CBCC6131320	4361	2908	4399	4552	552	335	1391
CBCC6131322	4387	2925	4426	4580	550	336	1394

* Please contact technical dept. at PROVIDES S.r.l. for more info

Tcond = 40°C Water IN/OUT = 30/35°C SC = 3 K F.F. = 0.016m²K/kW							
CB Model	R134a Capacity kW	R407C Capacity kW	R410A Capacity kW	R22 Capacity kW	Volume gas dm³	Volume H ₂ O dm³	Weight kg
CBCC6131324	4414	2942	4453	4608	549	338	1397
CBCC6131326	4440	2960	4480	4637	547	339	1400
CBCC6131328	4466	2977	4507	4665	545	341	1402
CBCC6131330	4492	2995	4534	4693	544	342	1405
CBCC6131332	4518	3012	4561	4722	542	344	1408
CBCC6131334	4544	3030	4587	4750	540	345	1411
CBCC6131336	4570	3047	4614	4778	538	347	1413
CBCC6131338	4597	3064	4641	4807	537	349	1416
CBCC6131340	4623	3082	4668	4835	535	350	1419
CBCC6131342	4649	3099	4695	4863	533	352	1422
CBCC6131344	4675	3117	4722	4892	531	353	1424
CBCC6131346	4701	3134	4749	4920	530	355	1427
CBCC6131348	4727	3152	4776	4949	528	356	1430
CBCC6131350	4753	3169	4803	4977	526	358	1433
CBCC6131352	4780	3186	4830	5005	525	359	1435
CBCC6131354	4806	3204	4857	5034	523	361	1438
CBCC6131356	4832	3221	4884	5062	521	362	1441
CBCC6131358	4858	3239	4911	5090	519	364	1444
CBCC6131360	4884	3256	4938	5119	518	365	1446
CBCC6131362	4910	3273	4965	5147	516	367	1449
CBCC6131364	4936	3291	4991	5175	514	368	1452
CBCC6131366	4963	3308	5018	5204	513	370	1455
CBCC6131368	4989	3326	5045	5232	511	371	1457
CBCC6131370	5015	3343	5072	5260	509	373	1460
CBCC6131372	5041	3361	5099	5289	507	374	1463
CBCC6131374	5067	3378	5126	5317	506	376	1466
CBCC6131376	5093	3395	5153	5345	504	377	1468
CBCC6131378	5119	3413	5180	5374	502	379	1471
CBCC6131380	5146	3430	5207	5402	500	380	1474
CBCC6131382	5172	3448	5234	5430	499	382	1477
CBCC6131384	5198	3465	5261	5459	497	384	1480
CBCC6131386	5224	3483	5288	5487	495	385	1482
CBCC6131388	5250	3500	5315	5516	494	387	1485
CBCC6131390	5276	3517	5342	5544	492	388	1488
CBCC6131392	5302	3535	5369	5572	490	390	1491
CBCC6131394	5329	3552	5395	5601	488	391	1493
CBCC6131396	5355	3570	5422	5629	487	393	1496
CBCC6131398	5381	3587	5449	5657	485	394	1499
CBCC6131400	5407	3605	5476	5686	483	396	1502
CBCC6131402	5433	3622	5503	5714	482	397	1504
CBCC6131404	5459	3639	5530	5742	480	399	1507
CBCC6131406	5485	3657	5557	5771	478	400	1510

* Please contact technical dept. at PROVIDES S.r.l. for more info

Tcond = 40°C Water IN/OUT = 30/35°C SC = 3 K F.F. = 0.016m²K/kW							
CB Model	R134a Capacity kW	R407C Capacity kW	R410A Capacity kW	R22 Capacity kW	Volume gas dm³	Volume H ₂ O dm³	Weight kg
CBCC6131408	5512	3674	5584	5799	476	402	1513
CBCC6131410	5538	3692	5611	5827	475	403	1515
CBCC6131412	5564	3709	5638	5856	473	405	1518
CBCC6131414	5590	3727	5665	5884	471	406	1521
CBCC6131416	5616	3744	5692	5912	469	408	1524
CBCC6131418	5642	3761	5719	5941	468	409	1526
CBCC6131420	5668	3779	5746	5969	466	411	1529
CBCC6131422	5694	3796	5773	5997	464	412	1532
CBCC6131424	5721	3814	5799	6026	463	414	1535
CBCC6131426	5747	3831	5826	6054	461	415	1537
CBCC6131428	5773	3849	5853	6083	459	417	1540
CBCC6131430	5799	3866	5880	6111	457	418	1543
CBCC6131432	5825	3883	5907	6139	456	420	1546
CBCC6131434	5851	3901	5934	6168	454	422	1548
CBCC6131436	5877	3918	5961	6196	452	423	1551
CBCC6131438	5904	3936	5988	6224	451	425	1554
CBCC6131440	5930	3953	6015	6253	449	426	1557
CBCC6131442	5956	3971	6042	6281	447	428	1559
CBCC6131444	5982	3988	6069	6309	445	429	1562
CBCC6131446	6008	4005	6096	6338	444	431	1565
CBCC6131448	6034	4023	6123	6366	442	432	1568
CBCC6131450	6060	4040	6150	6394	440	434	1570
CBCC6131452	6087	4058	6177	6423	438	435	1573
CBCC6131454	6113	4075	6203	6451	437	437	1576
CBCC6131456	6139	4093	6230	6479	435	438	1579
CBCC6131458	6165	4110	6257	6508	433	440	1582
CBCC6131460	6191	4127	6284	6536	432	441	1584
CBCC6131462	6217	4145	6311	6564	430	443	1587
CBCC6131464	6243	4162	6338	6593	428	444	1590
CBCC6131466	6270	4180	6365	6621	426	446	1593
CBCC6131468	6296	4197	6392	6650	425	447	1595
CBCC6131470	6322	4215	6419	6678	423	449	1598
CBCC6131472	6348	4232	6446	6706	421	450	1601
CBCC6131474	6374	4249	6473	6735	420	452	1604
CBCC6131476	6400	4267	6500	6763	418	453	1606
CBCC6131478	6426	4284	6527	6791	416	455	1609
CBCC6131480	6453	4302	6554	6820	414	457	1612
CBCC6131482	6479	4319	6581	6848	413	458	1615
CBCC6131484	6505	4337	6607	6876	411	460	1617
CBCC6131486	6531	4354	6634	6905	409	461	1620
CBCC6131488	6557	4371	6661	6933	407	463	1623
CBCC6131490	6583	4389	6688	6961	406	464	1626

* Please contact technical dept. at PROVIDES S.r.l. for more info

Tcond = 40°C Water IN/OUT = 30/35°C SC = 3 K F.F. = 0.016m²K/kW							
CB Model	R134a Capacity kW	R407C Capacity kW	R410A Capacity kW	R22 Capacity kW	Volume gas dm³	Volume H ₂ O dm³	Weight kg
CBCC6131492	6609	4406	6715	6990	404	466	1628
CBCC6131494	6636	4424	6742	7018	402	467	1631
CBCC6131496	6662	4441	6769	7046	401	469	1634
CBCC6131498	6688	4459	6796	7075	399	470	1637
CBCC6131500	6714	4476	6823	7103	397	472	1639
CBCC6131502	6740	4493	6850	7131	395	473	1642
CBCC6131504	6766	4511	6877	7160	394	475	1645
CBCC6131506	6792	4528	6904	7188	392	476	1648
CBCC6131508	6819	4546	6931	7217	390	478	1650
CBCC6131510	6845	4563	6958	7245	389	479	1653
CBCC6131512	6871	4581	6985	7273	387	481	1656
CBCC6131514	6897	4598	7011	7302	385	482	1659
CBCC6131516	6923	4615	7038	7330	383	484	1661
CBCC6131518	6949	4633	7065	7358	382	485	1664
CBCC6131520	6975	4650	7092	7387	380	487	1667
CBCC6131522	7002	4668	7119	7415	378	488	1670
CBCC6131524	7028	4685	7146	7443	376	490	1672
CBCC6131526	7054	4703	7173	7472	375	491	1675
CBCC6131528	7080	4720	7200	7500	373	493	1678

* Please contact technical dept. at PROVIDES S.r.l. for more info

